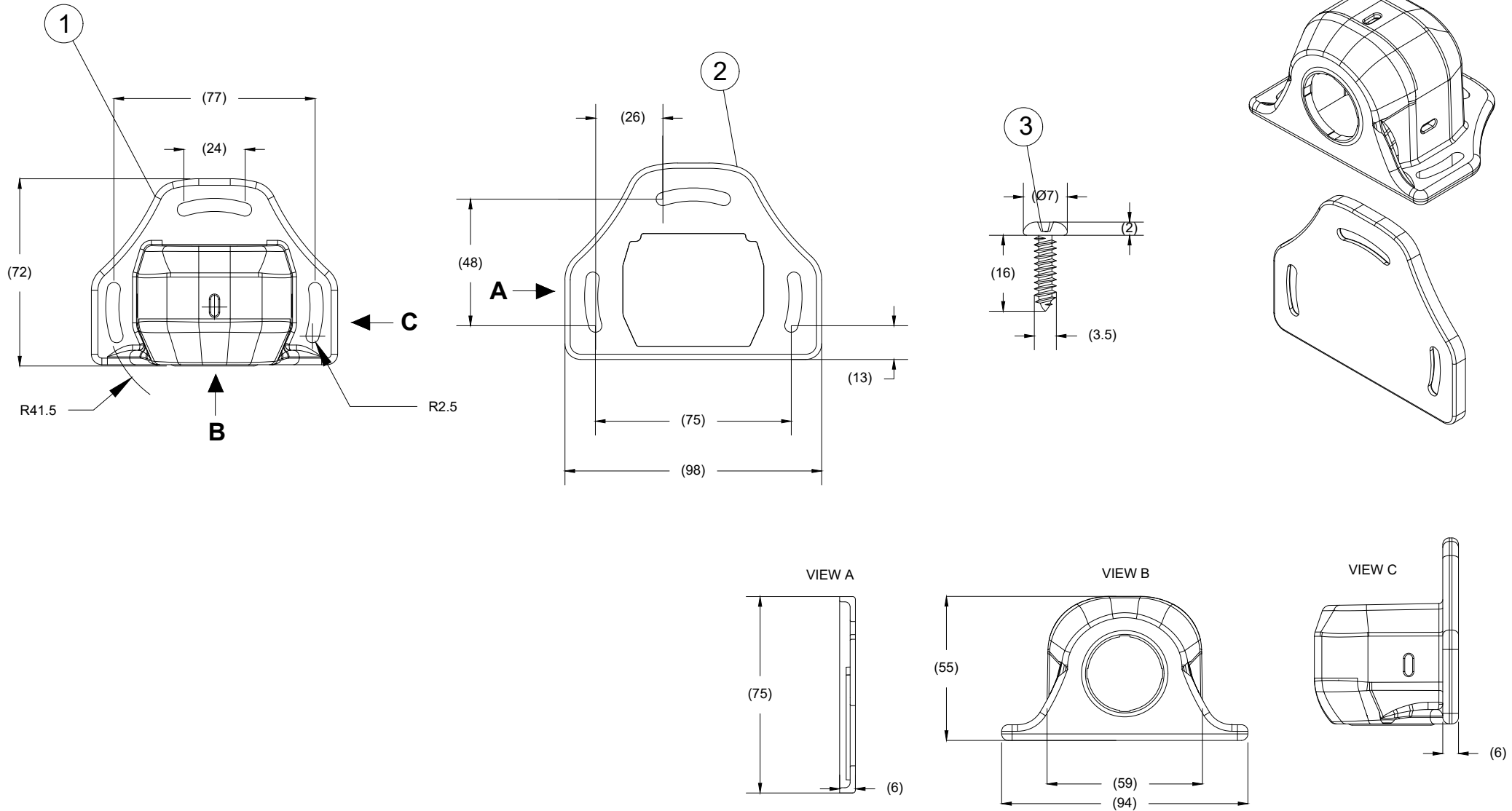


| ITEM | PART NO. | QTY | MODEL / DESCRIPTION   |
|------|----------|-----|---|
| ①    | (6149)   | 1   | SSP-00SM SIDESCAN@PREDICT SENSOR MOUNT                      |
| ②    | (6150)   | 1   | SSP-00MP SIDESCAN@PREDICT MOUNT PAD                         |
| ③    | (6151)   | 1   | SSP-00FIX SIDESCAN@PREDICT FIXING SCREWS (PACK OF 3 SCREWS) |

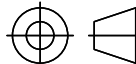
| Revision Notes |         |           |            |         |
|----------------|---------|-----------|------------|---------|
| R1 -           |         |           |            |         |
| APA: -         | Drawn:- | Checked:- | Approved:- | Date: - |



- NOTES:**
- FOR PRODUCT LABELS AND PACKAGING DETAILS REFER TO THE MASTER BOM.
  - ANY CUSTOMER MODIFICATION OF THIS PRODUCT CAUSING SUBSEQUENT FAILURE IS NOT A LIABILITY OF BRIGADE ELECTRONICS PLC.
  - FOR DETAILED DIMENSIONS PLEASE REFER TO INDIVIDUAL COMPONENT DRAWINGS.

**PROPRIETARY NOTICE**  
 THIS DESIGN AND TECHNICAL INFORMATION APPEARING ON THIS DRAWING IS THE PROPERTY OF BRIGADE ELECTRONICS, AND IS DISCLOSED IN CONFIDENCE. IT IS NOT TO BE COPIED, REPRODUCED, REVEALED TO OR EXPROPRIATED BY OTHERS, EITHER IN WHOLE OR IN PART WITHOUT THE EXPRESS WRITTEN CONSENT OF BRIGADE ELECTRONICS.

**BRIGADE**

|  |                          |                             |                         |
|--|--------------------------|-----------------------------|-------------------------|
| Assembly Pl Approval<br>A. YAO   | Approved by<br>B. CHILDS | Checked by<br>C. WALKER     | Drawn by<br>S. GOVENDER |
| Angle of Projection<br> | Units<br>mm              | Scale<br>N/A                | Released<br>16/10/20    |
|  | Status<br>RELEASED       | Assembly Ref<br>SSP-00SM-KT |                         |
|  | Part No<br>6204          | BE-004417 - 00 - 20         |                         |